

Series "E" Slide Gate

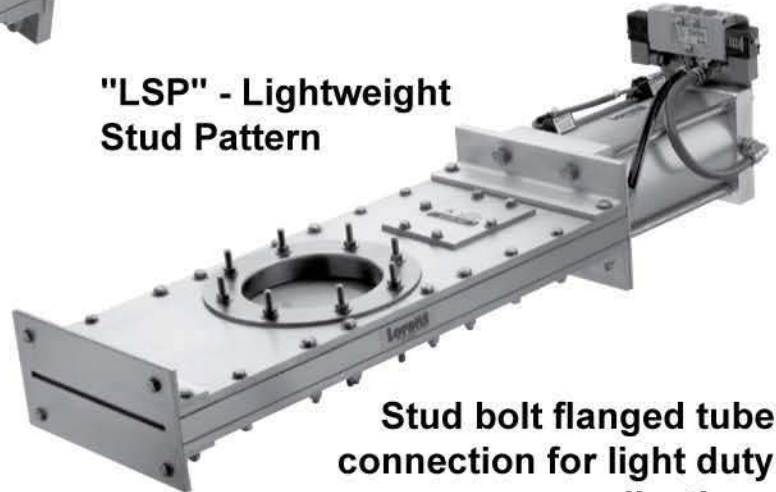
"TPS" - Tube & Pipe Stubs



Tube & Pipe Stubs for
compression couplings

Pneumatic actuated Slide Gate
for vacuum or low pressure*
conveying systems

"LSP" - Lightweight
Stud Pattern



Stud bolt flanged tube
connection for light duty
applications

*(Dilute phase up to 15 psig max.)

Standard Features

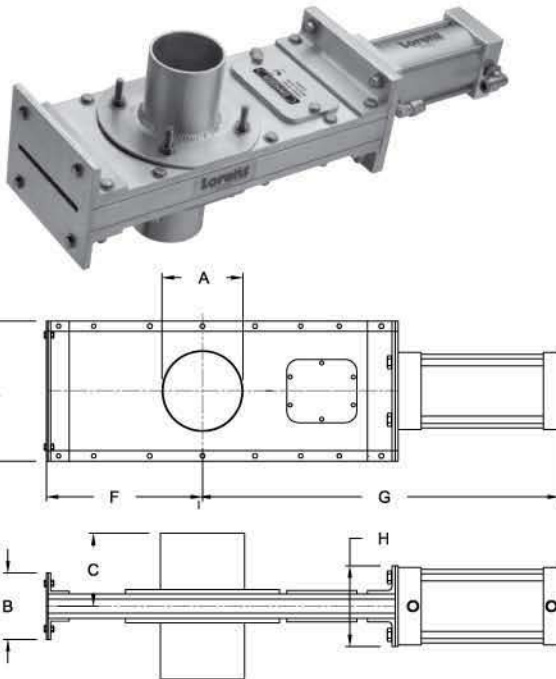
- Positive Blade Lock (PBL) between blade & cylinder rod
 - Internal magnetic piston, cushioned air cylinder
- Polished stainless steel blade • Active Compression Seals (ACS)
- Light weight aluminum body construction • Temperature rated for up to 82° C (180° F)
 - Wall thickness of 16, 14, & 11 gauge, schedule 10, 40 & 80
 - Fully tested prior to shipping

Options

- Position switches 5 volt to 240 volt AC/DC
- Proximity switches
- Over sized cylinders
- Valve body sealed for air purging
- High temperature modifications
- Manual hand wheel operation
- Special seal configurations
- Solenoids 110 volt AC or 24 volt DC
- Double acting or single acting spring return solenoid or manual lever valve
- NEMA 7-9 hazardous locations
Class I, Groups B, C&D, Class II, Groups E, F&G

Series "E" Slide Gate

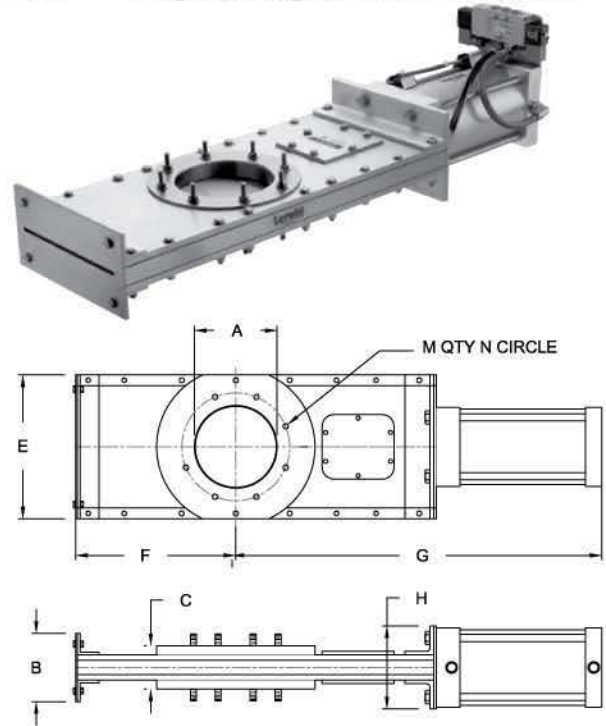
"TPS" - Tube & Pipe Stubs



* Orifice conforms to inside diameter of pipe or tube

A	B	C	E	F	G	H
1 1/2 OD	4 3/4	4	5	4 5/8	13 1/4	4 3/4
2 OD	4 3/4	4	5	4 5/8	13 1/4	4 3/4
2 3/16 OD	4 3/4	4	6	5	14 3/4	4 3/4
2 3/8 OD	4 3/4	4	6	5	14 3/4	4 3/4
2 1/2 OD	4 3/4	4	6	5 3/4	16	4 3/4
2 7/8 OD	4 3/4	4	6	5 3/4	16	4 3/4
3 OD	4 3/4	4	6	5 7/8	16	4 3/4
3 1/2 OD	4 3/4	6	7	7 1/4	19	4 3/4
4 OD	4 3/4	4	7	7 7/8	20	4 3/4
4 1/2 OD	4 3/4	5	9	8 1/2	22 1/2	4 3/4
5 OD	4 3/4	5	9	10 1/8	23 7/8	4 3/4
5 9/16 OD	4 3/4	5	9	10 1/8	23 7/8	4 3/4
6 OD	4 3/4	5	10	11 1/8	25 1/2	5 3/4
6 5/8 OD	4 3/4	7	10	12	26 3/4	5 3/4
8 OD	5 3/4	9	12	14 1/8	30 1/2	5 3/4
8 5/8 OD	5 3/4	9	12	14 1/2	30 3/4	5 3/4
10 OD	5 3/4	9	14	17 3/8	35 3/4	5 3/4
10 3/4 OD	5 3/4	9	14	17 3/8	35 3/4	5 3/4
12 OD	5 3/4	9	16	20 7/8	41 1/4	5 3/4
12 3/4 OD	5 3/4	9	16	20 7/8	41 1/4	5 3/4
14 OD	5 3/4	9	18	23 3/4	46	5 3/4

"LSP" - Lightweight Stud Pattern



* Orifice conforms to inside diameter of pipe or tube

A	B	C	E	F	G	H	FLANGE DIMENSIONS		THREAD SIZE, STUD LENGTH	
							M	N		
2 OD	4 3/4	2 1/8	5	4 5/8	13 1/4	4 3/4	4	3 7/8	5/16-18 NC	7/8
2 3/16 OD	4 3/4	2 1/8	6	5	14 3/4	4 3/4	4	3 7/8	5/16-18 NC	7/8
2 3/8 OD	4 3/4	2 1/8	6	5	14 3/4	4 3/4	4	3 7/8	5/16-18 NC	7/8
2 1/2 OD	4 3/4	2 1/8	6	5 3/4	16	4 3/4	4	3 7/8	5/16-18 NC	7/8
2 7/8 OD	4 3/4	2 1/8	6	5 3/4	16	4 3/4	4	3 7/8	5/16-18 NC	7/8
3 OD	4 3/4	2 1/8	6	5 7/8	16	4 3/4	4	5	5/16-18 NC	7/8
3 1/2 OD	4 3/4	2 1/8	7	7 7/8	20	4 3/4	4	5	5/16-18 NC	7/8
4 OD	4 3/4	2 1/8	7	7 7/8	20	4 3/4	6	5 1/2	5/16-18 NC	7/8
4 1/2 OD	4 3/4	2 1/8	9	8 1/2	22 1/2	4 3/4	6	5 1/2	5/16-18 NC	7/8
5 OD	4 3/4	2 1/8	9	10 1/8	23 7/8	4 3/4	8	6 1/2	5/16-18 NC	7/8
5 9/16 OD	4 3/4	2 1/8	9	10 1/8	23 7/8	4 3/4	8	6 1/2	5/16-18 NC	7/8
6 OD	4 3/4	2 1/8	10	11 1/8	25 7/16	5 3/4	8	7 1/2	5/16-18 NC	7/8
6 5/8 OD	4 3/4	2 1/8	10	12	26 3/4	5 3/4	8	7 1/2	5/16-18 NC	7/8
8 OD	5 3/4	2 1/8	12	14 1/8	30 7/16	5 3/4	8	9 1/2	5/16-18 NC	7/8
10 OD	5 3/4	2 1/8	14	17 3/8	35 5/8	5 3/4	8	11 1/2	5/16-18 NC	7/8
10 3/4 OD	5 3/4	2 1/8	14	17 3/8	35 5/8	5 3/4	8	11 1/2	5/16-18 NC	7/8
12 OD	5 3/4	2 1/8	16	21	41 1/4	5 3/4	12	13 13/16	5/16-18 NC	7/8
12 3/4 OD	5 3/4	2 1/8	16	21	41 1/4	5 3/4	12	13 13/16	5/16-18 NC	7/8
14 OD	5 3/4	2 1/8	18	23 3/4	46	5 3/4	12	16	5/16-18 NC	7/8

All dimensions in inches